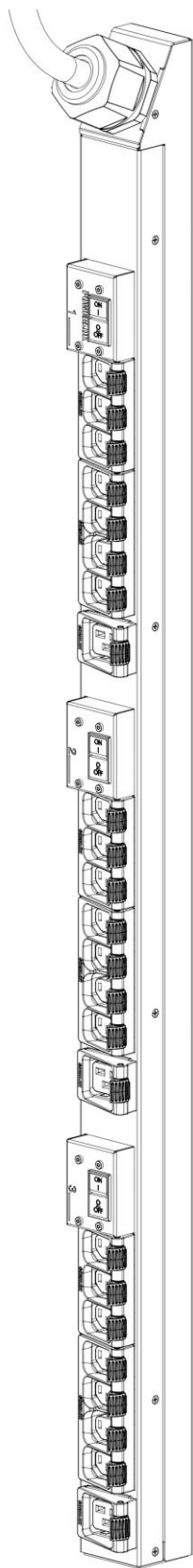


POWERLOK RACK PDU SPECIFICATION



| Specific Configurations | | | | | | | | |
|-------------------------|---|-------------|-------------|-------------|-------------|-------------|-------------|-------------|
| COLOR | CARBON | | RED | | WHITE | | BLUE | |
| WHIP LENGTH | 6 FT | 10 FT | 6 FT | 10 FT | 6 FT | 10 FT | 6 FT | 10 FT |
| BASIC MODEL | UP8417B-06C | UP8417B-10C | UP8417B-06R | UP8417B-10R | UP8417B-06W | UP8417B-10W | UP8417B-06B | UP8417B-10B |
| DESCRIPTION | RACK PDU, 41", 30A 208/240V DELTA 3PH, 21-C13 & 3-C19, L15-30P, CORDLOK | | | | | | | |
| MONITORING | NONE | | | | | | | |
| SWITCHING | NONE | | | | | | | |
| POWER | 30A 208/240V DELTA 3PH (10.0 kW) | | | | | | | |
| PLUG TYPE | L15-30P | | | | | | | |
| UNIT LENGTH | 41 INCHES | | | | | | | |
| RECEPTACLES | 21-C13 & 3-C19 | | | | | | | |
| CORDLOK | YES | | | | | | | |

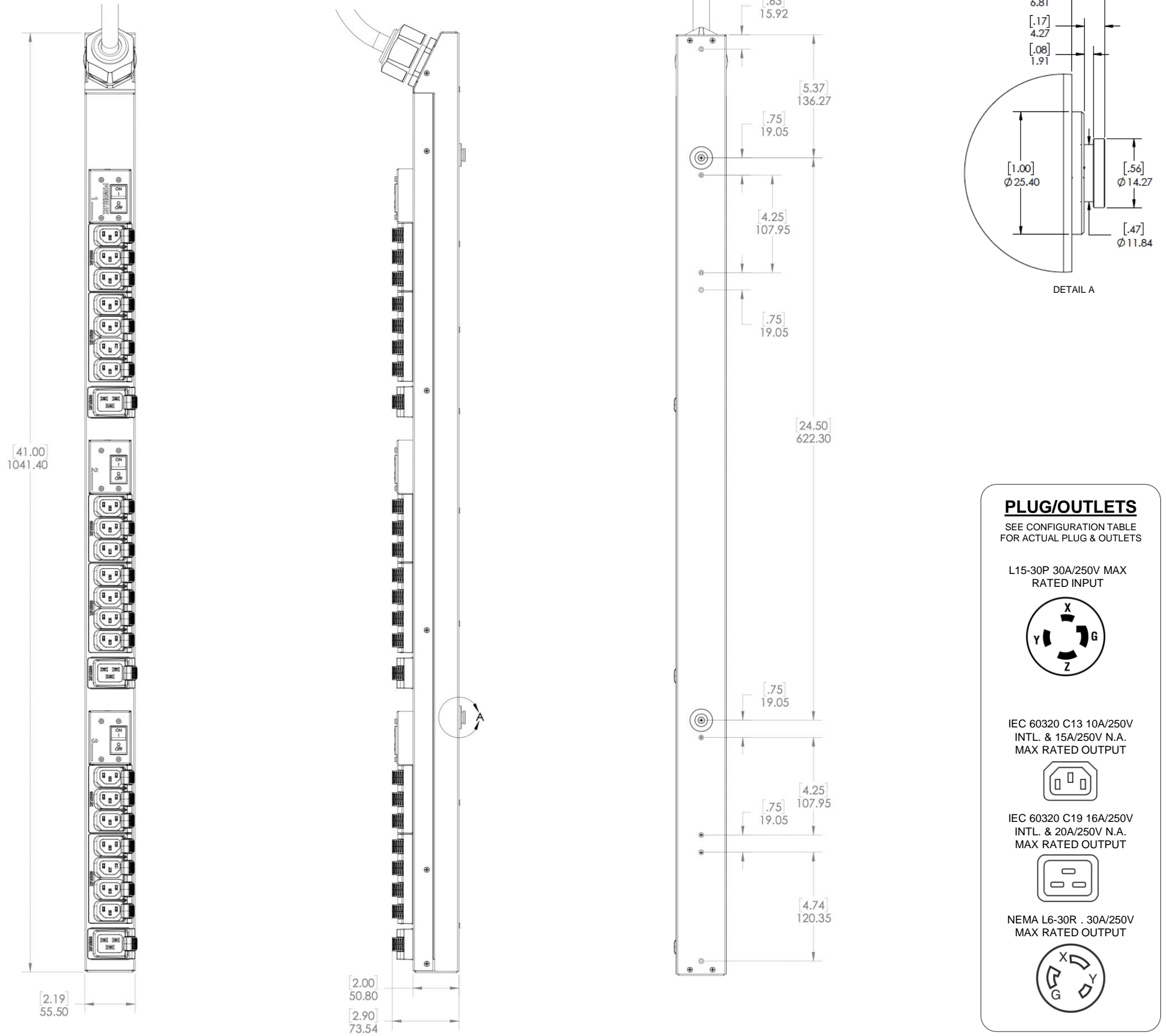
| Universal Specification | |
|-----------------------------------|---|
| Over Current Protection | 20A UL489 magnetic breakers |
| Power Whip | See PDU Ratings Table - page 2 |
| Heavy Steel - Powder Coat Color | Per PowerLok specific configuration for color |
| Rack PDU Type | Vertical Rack-mount |
| Toolless Mounting: Center Spacing | 24.50" |
| Manufactured in the USA | Yes |
| Product Warranty | 3-year from date of shipment, repair or replace. |
| Certification/Agency Approvals | TUV Certified to UL/CSA 60950-1 with NOM Addendum for Mexico, FCC Part 15 Class A conformance, RoHS compliant |
| Operating Environment | 0-60C (32-149F), 5-95% relative humidity, 0-10,000ft (0-3000 meters) elevation. |
| Storage Environment | -25-65C (-13-149F), 5-95% relative humidity, 0-10,000ft (0-3000 meters) elevation. |
| Chassis Dimensions (LxWxD) | 40.98"L x 2.18"W x 2.0"D |
| Package Dimensions (LxWxD) | 49.0"L x 22.0"W x 4.8"D (3&4-Pack), 49.0"L x 11.0"W x 4.8"D (1&2-Pack) |
| Pallet Dimensions (LxWxD) | 49"L x 44"W x 5.0"D |
| Rack PDU Weight | 12.0 lbs. |
| Packaged Weight (each) | 14.0 lbs. |

MADE AND ROBOTICALLY SOLDERED IN THE USA

POWERLOK

| | | | | |
|---|-------|---|---|------------------------------|
| *CUSTOMER SIGNATURE: | DATE: | UNLESS OTHERWISE SPECIFIED, ALL DIMENSIONS ARE IN MM AND TOLERANCES ARE: X = +/- 0.5 .X = +/- 0.25 .XX = +/- 0.13 X' = +/- 0.5' | Upsite Technologies | |
| *PRIOR TO MANUFACTURING, BUILD MODELS REQUIRE CUSTOMER SIGN-OFF. BY SIGNING, CUSTOMER AGREES THAT THIS ORDER IS NON-CANCELABLE AND NON-RETURNABLE. | | | TITLE: RACK PDU SPECIFICATION | DRAWING NUMBER: SP-UP8417 |
| THIS SPECIFICATION AND ITS CONTENTS ARE THE PROPERTY OF Upsite Technologies AND SHALL NOT BE COPIED OR REPRODUCED FOR ANY PURPOSES OTHER THAN APPLICATION OF PRODUCT MANUFACTURED BY Upsite Technologies. THIS DRAWING IS SUBJECT TO CHANGE WITHOUT NOTICE. | | | | |

OUTLINE DRAWING



PLUG/OUTLETS

SEE CONFIGURATION TABLE FOR ACTUAL PLUG & OUTLETS

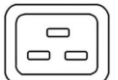
L15-30P 30A/250V MAX RATED INPUT



IEC 60320 C13 10A/250V INTL. & 15A/250V N.A. MAX RATED OUTPUT



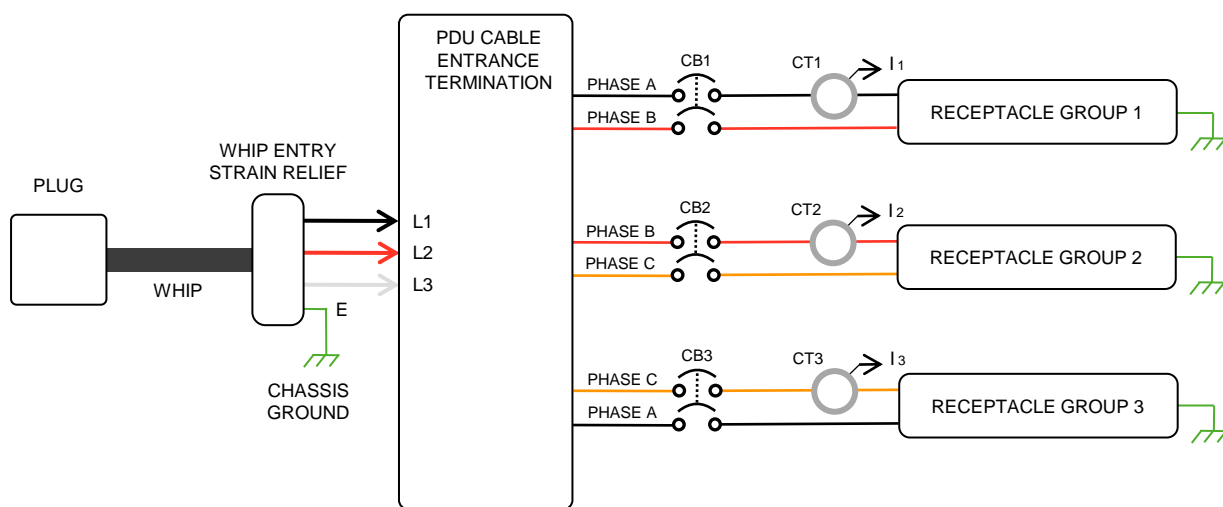
IEC 60320 C19 16A/250V INTL. & 20A/250V N.A. MAX RATED OUTPUT



NEMA L6-30R . 30A/250V MAX RATED OUTPUT



PDU WIRING DIAGRAM & RATINGS TABLE



| INPUT POWER: | |
|----------------|-----------------------|
| WHIP TYPE | 10GA 4-WIRE SOOW |
| VOLTAGE | 208/240V DELTA 3PH |
| FREQUENCY | 50/60 HZ |
| RATED AMPS | 30A |
| MAX CONT. AMPS | 24A |
| OUTPUT POWER: | |
| GROUP 1 | PH A-B, 16A MAX CONT. |
| GROUP 2 | PH B-C, 16A MAX CONT. |
| GROUP 3 | PH C-A, 16A MAX CONT. |

MADE AND ROBOTICALLY SOLDERED IN THE USA

POWERLOK

| | | | | |
|---|-------|---|---|--|
| *CUSTOMER SIGNATURE: | DATE: | UNLESS OTHERWISE SPECIFIED, ALL DIMENSIONS ARE IN MM AND TOLERANCES ARE: X = +/- 0.5 .X = +/- 0.25 .XX = +/- 0.13 X* = +/- 0.5* | Upsite Technologies | |
| *PRIOR TO MANUFACTURING, BUILD MODELS REQUIRE CUSTOMER SIGN-OFF. BY SIGNING, CUSTOMER AGREES THAT THIS ORDER IS NON-CANCELABLE AND NON-RETURNABLE. | | | TITLE: RACK PDU SPECIFICATION | |
| THIS SPECIFICATION AND ITS CONTENTS ARE THE PROPERTY OF Upsite Technologies AND SHALL NOT BE COPIED OR REPRODUCED FOR ANY PURPOSES OTHER THAN APPLICATION OF PRODUCT MANUFACTURED BY Upsite Technologies. THIS DRAWING IS SUBJECT TO CHANGE WITHOUT NOTICE. | | DRAWING NUMBER: SP-UP8417 | SHEET: 2 OF 2 | |